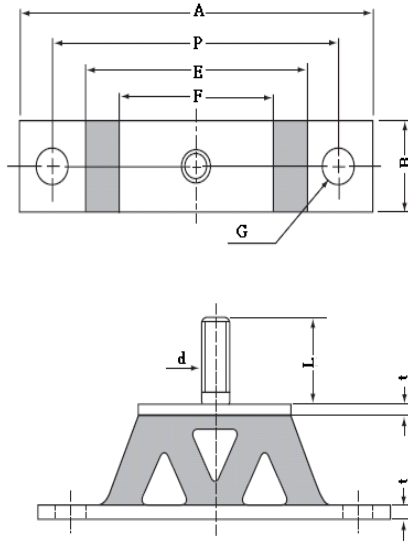


YS-W TYPE RUBBER ISOLATOR

Structure



Features

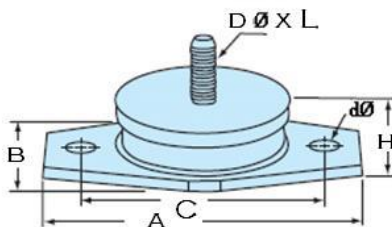
YS-W type cushion isolator, its structure is special so in its vertical and horizontal direction are all with lower nature frequency, besides width is small so easy to install, generally used in small machine, motor, windmill and compressor... ..etc.

Specification Table

MODEL	Proper Load (KGS)	Dimension(m/m)									
		A	B	H	t	E	F	P	d	L	G
YS-46W	15-45	125	30	40	4.5	80	55	104	M8	20	11
YS-70W	40-80	160	35	45	4.5	100	70	130	M10	30	14
YS-125W	70-130	210	40	55	6	130	90	170	M12	30	17
YS-175W	110-200	245	50	65	8	165	115	205	M14	30	20
YS-500W	200-800	245	50	65	8	165	115	205	M14	30	20

YS-IE TYPE RUBBER ISOLATOR

Structure



Features

- ⊙ Easy installation
- ⊙ Resistance to weathering
- ⊙ Rubber made by Butyl rubber
- ⊙ Applications for generators, fans, or HVAC systems.

Specification Table

MODEL	Proper Load (KGS)	Dimension(m/m)					Bolt DØ x L
		A	B	C	DØ	t	
YS-980IE	500-1000	224	122	175	18	44	1/2"x45
YS-2000IE	800-2000	224	122	175	18	44	M20x45
YS-1000IE	500-1000	224	122	175	18	44	M20x45